



凯煌阀门
MANUFACTURER OF VALVES

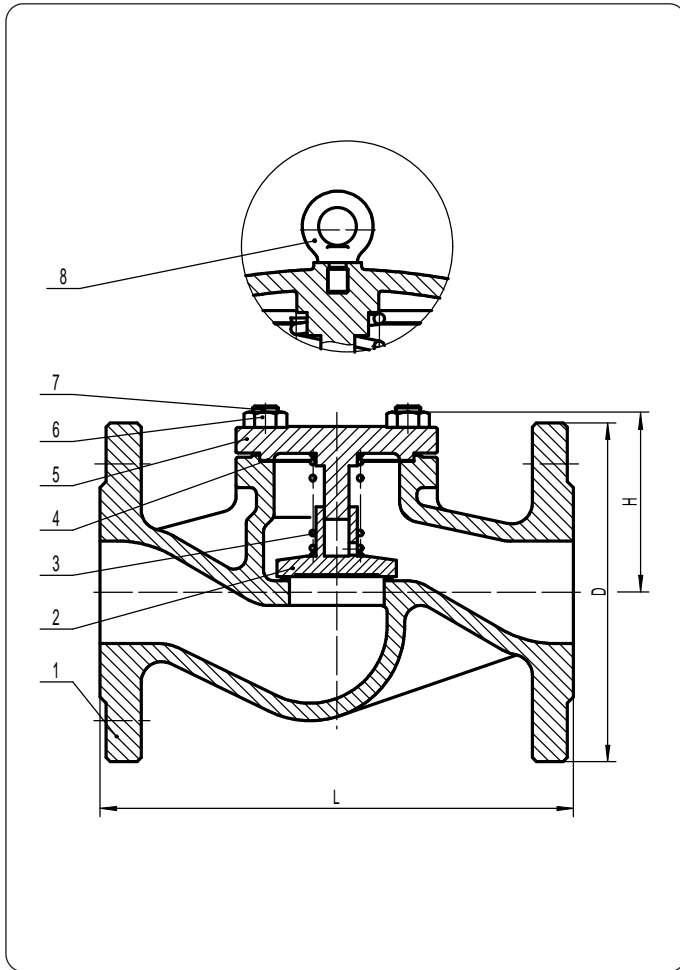
德标升降式止回阀
LIFT CHECK VALVE
DIN PN 16 - 25 - 40

产品标准
standard features

- 产品描述 Description: BOLTED COVER, RETURN SPRING
- 设计标准 Design: EN 13709, DIN 3840
- 结构长度标准 Face to face: EN 558-1
- 法兰标准 Flanges: EN1092-B1
- 对焊连接标准 Butt welded: EN12627 AND DIN 3239
- 检验标准 Testing: EN 12266
- 等级标准 Rating: DIN 2401
- 标识标准 Marking: EN 19, CE - PED
- 证书标准 Certificates: EN 10204 - 3.1

新功能需求 / features on request

- DISC WITH PTFE OR RUBBER / 氟密封或衬胶密封
- INTEGRAL SEAT / 整体阀座
- BY-PASS / 带旁通
- BW ENDS / 对焊连接法兰
- RTJ FLANGES / RTJ连接法兰
- ANSI CONNECTIONS / 美标连接法兰



零件名称 / PART NAME	材质 / MATERIAL		
1 阀体 / Body	1.0619(GS-C25)	1.4308(CF8)	1.4408(CF8M)
2 阀瓣 / Disc seat surface	X20Cr13+QT(1)	1.4301(F304)+(1)	1.4401(F316)+(1)
3 弹簧 / Spring	SS304	SS304	SS316
4 复合垫 / Gasket	S.S.+graphite/S.S.+柔性石墨(2)	S.S.+graphite/S.S.+柔性石墨(2)	S.S.+graphite/S.S.+柔性石墨(2)
5 阀盖 / Cover	1.0619(GS-C25)	1.4308(CF8)	1.4408(CF8M)
6 螺栓 / Bolts	A193 B7	A193 B8	A193 B8M
7 螺母 / Nuts	A194 2H	A194 8	A194 8M
8 吊环 / Ring	Steel/ 钢	SS304	SS304

(1) On request: faced with Stellite® - Monel® - Hastelloy® - other materials (1)根据要求密封面可焊STL、蒙乃尔合金、哈氏合金等。

(2) On request: PTFE-other materials

(2) 根据要求填料可换为PTFE等材质。

FIG.LC001 LIFT CHECK VALVES DIN PN 16

SIZE DN	15	20	25	32	40	50	65	80	100	125	150	200	250	300	350	400
L RF	130	150	160	180	200	230	290	310	350	400	480	600	730	850	980	1100
D	95	105	115	140	150	165	185	200	220	250	285	340	405	460	520	580
H	70	70	80	80	85	95	110	130	155	165	260	285	325	365	545	630

FIG.LC002 LIFT CHECK VALVES DIN PN 25 AND PN 40

SIZE DN	15	20	25	32	40	50	65	80	100	125	150	200	250	300	350	400
L RF/BW	130	150	160	180	200	230	290	310	350	400	480	600	730	850	980	1100
D - PN25	95	105	115	140	150	165	185	200	235	270	330	360	425	485	555	620
D - PN40	95	105	115	140	150	165	185	200	235	270	350	375	450	515	580	660
H	70	70	80	80	85	95	110	130	155	165	260	285	325	365	545	630

All dimensions in mm (except where differently indicated)

All data, subject to technical changes, are only for information and not for official use.

温州凯煌阀门有限公司 地址：中国浙江省温州市永嘉县瓯北镇
KWIN VALVE CO.,LTD Add:Oubei town, YongJia county,WenZhou City, ZheJiang province,China Post code:325102
Phone: +86 577 67162399 Fax:+86 67161399 E-mail:dida_lu@126.com Website: http://ww.kwinvalve.com