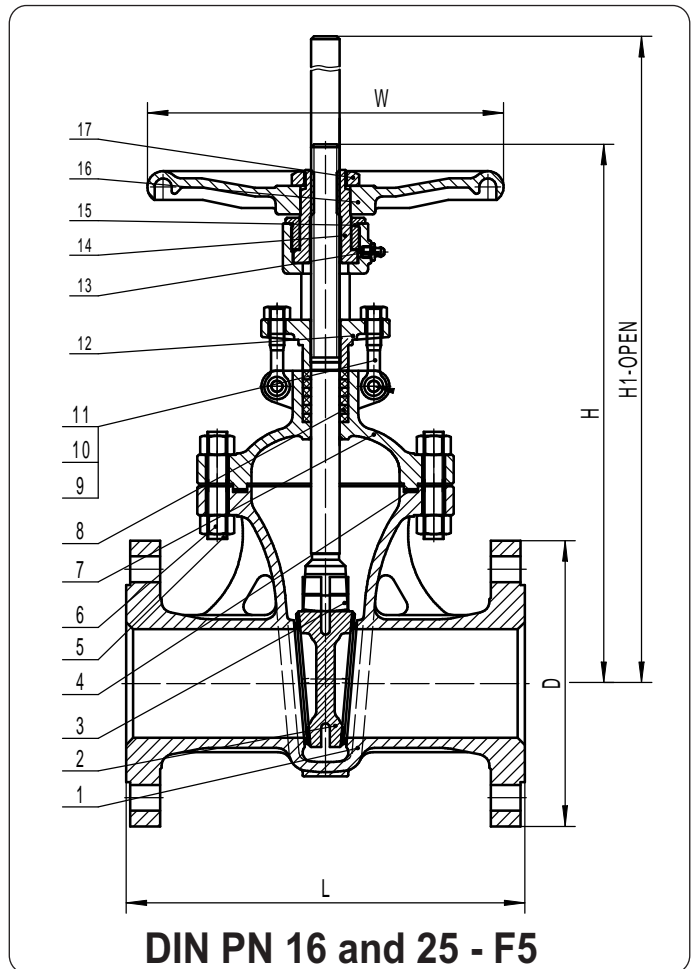
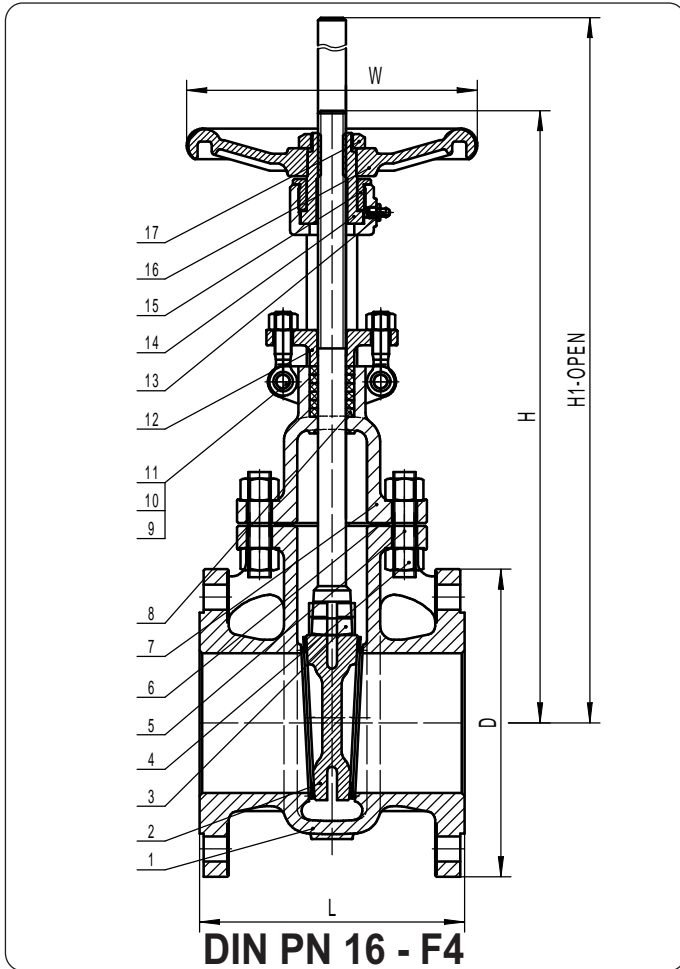




**凯煌阀门**  
MANUFACTURER OF VALVES

**德标闸阀**

GATE VALVES OVAL BODY GATE VALVES ROUND BODY  
DIN PN 16 - F4 - DIN PN 16 and 25 - F5



零件名称 / PART NAME	材质 / MATERIAL			
1 阀体 / Body	1.0619 GS-C25)	1.7357(WC6)	1.4308(CF8)	1.4408(CF8M)
2 阀板 / Wedge seat surface	1.0619(GS-C25)+13Cr(2)	1.7357(WC6)+ HF(2)	1.4308(CF8)+13Cr(2)	1.4408(CF8M)+18Cr(2)
3 阀杆 / Stem	X20Cr13 (3)	X20Cr13 (3)	1.4301(F304)(3)	1.4401(F316)(3)
4 螺母 / Nuts	A194 2H	A194 4	A194 8	A194 8M
5 螺栓 / Bolts	A193 B7	A193 B16	A193 B8	A193 B8M
6 复合垫 / Gasket	← S.S.+graphite/S.S.+柔性石墨 <sup>(5)</sup> →			
7 阀盖 / Bonnet	1.0619( GS-C25)	1.7357(WC6)	1.4308(CF8)	1.4408(CF8M)
8 填料 / Packing	← Graphite/柔性石墨 <sup>(5)</sup> →			
9 螺母 / Nuts	A194 2H	A194 4	A194 8	A194 8M
10 活节螺栓 / Eye bolts	A193 B7	A193 B16	A193 B8	A193 B8M
11 活节螺栓销 / Eye bolt pin	CK35	CK35	SS304	SS304
12 填料压盖 / Gland flange	1.0619 GS-C25)	1.7357(WC6)	1.4308(CF8)	1.4408(CF8M)
13 油嘴 / Grease nipple	← Cu-Alloy/铜合金 →			
14 支架套 / yoke sleeve	1.0460	1.0460	SS304	SS304
15 支架螺母 / Yoke nut	GGG40.3(4)	GGG40.3(4)	Cu-Alloy/铜合金	Cu-Alloy/铜合金
16 手轮 / Handwheel ( * )	← Steel/钢 →			
17 手轮并帽 / handwheel nut	1.0460	1.0460	SS304	SS304
* 上密封座 / Back seat	13Cr(1)	13Cr(1)	13Cr(1)	18Cr(1)

- (1) On request: faced with Stellite® - Monel® - Hastelloy® - other materials (1)根据要求密封面可焊STL、蒙乃尔合金、哈氏合金等。  
 (2) On request: faced with Stellite® - Monel® - Hastelloy® - other materials (2)根据要求密封面可焊STL、蒙乃尔合金、哈氏合金等。  
 (3) On request: 18 Cr - Monel® - Hastelloy® - other materials (3)根据要求闸阀杆可采用18Cr、STL、蒙乃尔合金、哈氏合金等材质。  
 (\*) Gear operator recommended from DN 400. (\*)DN400推荐使用齿轮操作机构。  
 (4) On request: Cu Alloy (4)根据要求可采用铜螺母。  
 (5) On request: PTFE - other materials (5)

All data, subject to technical changes, are only for information and not for official use.

温州凯煌阀门有限公司 地址：中国浙江省温州市永嘉县瓯北镇  
 KWIN VALVE CO.,LTD Add:Oubei town, YongJia county,WenZhou City, ZheJiang province,China Post code:325102  
 Phone: +86 577 67162399 Fax:+86 67161399 E-mail:dida\_lu@126.com Website: http://ww.kwinvalve.com



# 凯煌阀门

MANUFACTURER OF VALVES

# 德标闸阀

GATE VALVES OVAL BODY GATE VALVES ROUND BODY  
DIN PN 16 - F4 - DIN PN 16 and 25 - F5

## 产品标准

### standard features

○ 产品描述 <b>Description</b>	OVAL BODY BOLTED BONNET OUTSIDE SCREW AND YOKE RISING STEM NON RISING HANDWHEEL FLEXIBLE WEDGE
○ 设计标准 <b>Design</b>	EN 1984 DIN 3352
○ 结构长度标准 <b>Face to face</b>	DIN 3202 EN 558-1
○ 法兰标准 <b>Flanges</b>	EN1092-B1
○ 对焊连接标准 <b>Butt welded</b>	EN12627 AND DIN 3239
○ 检验标准 <b>Testing</b>	EN 12266 DIN 3352 Part 1 DIN 3230 Part 3
○ 等级标准 <b>Rating</b>	DIN 2401
○ 标识标准 <b>Marking</b>	EN 19 CE - PED
○ 证书标准 <b>Certificates</b>	EN 10204 - 3.1

## 新功能需求 / features on request

- TOP FLANGE TO ISO 5210 / 执行器连接法兰标准 : I0S5210
- GEAR OPERATOR / 齿轮操作
- CHAIN WHEEL OPERATOR / 链条轮操作
- PNEUMATIC ACTUATOR / 气动执行器
- HYDRAULIC ACTUATOR / 液压执行器
- ELECTRIC ACTUATOR / 电动执行器
- POSITION INDICATOR / 位置显示器
- LIMIT SWITCHES / 限位开关
- LOCKING / INTERLOCK SYSTEM / 锁紧/连锁系统
- PTFE SOFT SEATS / PTFE软密封阀座
- STEM PROTECTION / 阀杆保护
- STEM EXTENSION / 阀杆延长寿命
- LANTERN RING / 隔环
- EXTENDED STUFFING BOX / 延长填料函
- LIVE LOADED PACKING / 填料压板设计
- DRAIN PLUG / 排污堵头
- BY PASS / 带旁通
- BW ENDS / 对焊连接法兰
- ANSI CONNECTIONS / 美标连接法兰

## FIG. GV01 - GATE VALVES OVAL BODY DIN PN16 - Face to Face F4

SIZE DN	50	65	80	100	125	150	200	250	300	350	400	500	600
L RF/BW	150	170	180	190	200	210	230	250	270	290	310	350	390
D	165	185	200	220	250	285	340	405	460	520	580	715	840
W	160	160	160	200	200	200	200	350	350	400	400	600	600
H	350	420	500	520	610	700	900	1050	1200	1500	1720	1900	2300
H1	410	490	585	630	725	860	1110	1310	1520	1870	2150	2450	3000

## FIG. GV02 - GATE VALVES ROUND BODY DIN PN16 - Face to Face F5

SIZE DN	50	65	80	100	125	150	200	250	300	350	400	500	600	700	800
L RF/BW	250	270	280	300	325	350	400	450	500	550	600	700	800	900	1000
D	165	185	200	220	250	285	340	405	460	520	580	715	840	910	1025
W	200	250	250	300	350	350	400	500	500	600	600	600	600	1000	1200
H	335	365	405	490	540	630	780	970	1140	1280	1450	1670	1865	2600	3150
H1	390	440	500	600	675	790	1000	1240	1455	1640	1870	2330	2920	3330	3970

All data, subject to technical changes, are only for information and not for official use.

温州凯煌阀门有限公司 地址：中国浙江省温州市永嘉县瓯北镇  
 KWIN VALVE CO.,LTD Add:Oubei town, YongJia county,WenZhou City, ZheJiang province,China Post code:325102  
 Phone: +86 577 67162399 Fax:+86 67161399 E-mail:dida\_lu@126.com Website: http://ww.kwinvalve.com



**凯煌阀门**  
MANUFACTURER OF VALVES

**德标闸阀**

GATE VALVES OVAL BODY GATE VALVES ROUND BODY  
DIN PN 16 - F4 - DIN PN 16 and 25 - F5

**FIG. GV03 - GATE VALVES ROUND BODY DIN PN25 - Face to Face F5**

SIZE DN	50	65	80	100	125	150	200	250	300	350	400	500	600	700	800
L RF/BW	250	270	280	300	325	350	400	450	500	550	600	700	800	900	1000
D	165	185	200	235	270	300	360	425	485	555	620	730	845	960	1085
W	200	250	250	300	350	350	400	500	500	600	600	600	600	1000	1200
H	335	365	405	490	540	630	780	970	1140	1280	1450	1670	1865	2600	3150
H1	390	440	500	600	675	790	1000	1240	1455	1640	1870	2330	2920	3330	3970

All dimensions in mm (except where differently indicated)

All data, subject to technical changes, are only for information and not for official use.

温州凯煌阀门有限公司 地址：中国浙江省温州市永嘉县瓯北镇  
KWIN VALVE CO.,LTD Add:Oubei town, YongJia county,WenZhou City, ZheJiang province,China Post code:325102  
Phone: +86 577 67162399 Fax:+86 67161399 E-mail:dida\_lu@126.com Website: http://www.kwinvalve.com